

BLAIZE 36W

Rectangle Panel Light 1200x300

The BLAIZE 36W LED Panel Light is at the leading edge of commercial lighting. Use this 2' x 4' rectangular LED panel light for office lighting, basement lighting, gym lighting, school lighting and hospital lighting! BLAIZE LED light panels are designed for residential and commercial suspended grid ceilings. Replace existing fluorescent troffer light fixtures or use in new construction applications. Eliminate maintenance costs and enjoy a high efficiency light source. With an optical diffuser, the LED panel light delivers a smooth, flawless wall of illumination without visible bulbs or hot spots. Mount with suspension kit, plaster recess kit or surface mount kit. Dimmable driver available separately.



SPECIFICATIONS

Material Specifications

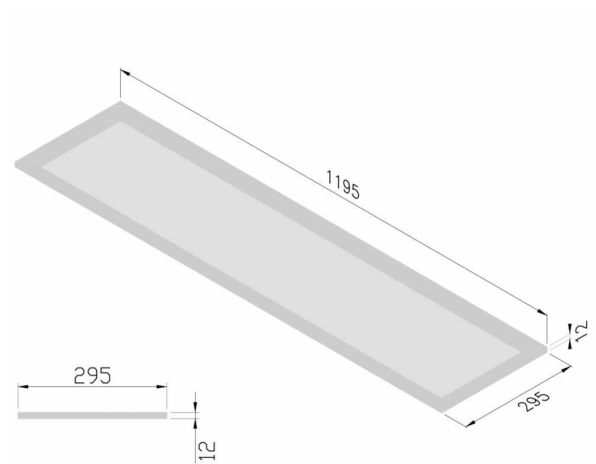
Material	White Aluminium Frame. PMMA
Dimensions	1195mm x 295mm x 12mm
Ingress Protection	IP44
Warranty	5 Year Replacement
Weight	3.2Kg
Accessories	Surface Mount, Plaster Recess & Suspension Kits

Electrical Specifications

Power Supply	Non-Dim Boke Remote Driver
Options	DALI Available
Connection Method	Australian 2-Pin Plug & 1.0m Lead
Input Voltage	240V
Operating Temperature (Ta)	-20°C to +45°C

Optic Specifications

Light Source	36W Epistar, 2-Side Edge Lit
Delivered Lumens	3700lm (4000K)
CRI	80Ra
Beam Angle	120°
Colour Deviation	SDCM ≤ 3
Rated Lifetime (L80B20)	50,000 Hrs



VARIATIONS

LC7028	BLAIZE 36W 1200x300 Panel Light, Non-Dim, 3000K
LC7029	BLAIZE 36W 1200x300 Panel Light, Non-Dim, 4000K
LC7031	BLAIZE 36W 1200x300 Panel Light, Non-Dim, 6000K