

# BLAIZE 40W

## Rectangle Panel Light 1200x300

The BLAIZE 40W LED Panel Light is at the leading edge of commercial lighting. Use this 2' x 4' rectangular LED panel light for office lighting, basement lighting, gym lighting, school lighting and hospital lighting! BLAIZE LED light panels are designed for residential and commercial suspended grid ceilings. Replace existing fluorescent troffer light fixtures or use for new construction applications. Eliminate maintenance costs and enjoy a high efficiency light source. With an optical diffuser, the LED panel light delivers a smooth, flawless wall of illumination without visible bulbs or hot spots. Mount with our suspension kit, plaster recess kit or surface mount kit. Dimmable driver available.



### SPECIFICATIONS

#### Material Specifications

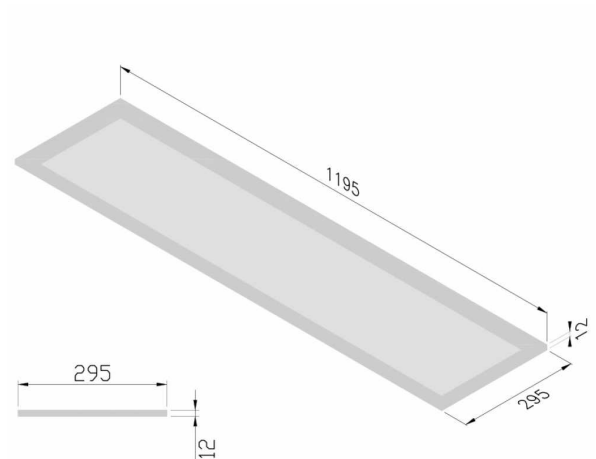
<b>Material</b>	White Aluminium Frame. PMMA
<b>Dimensions</b>	1195mm x 295mm x 12mm
<b>Ingress Protection</b>	IP44
<b>Warranty</b>	5 Year Replacement
<b>Weight</b>	3.2Kg
<b>Accessories</b>	Surface Mount, Plaster Recess & Suspension Kits

#### Electrical Specifications

<b>Power Supply</b>	Non-Dim Boke Remote Driver
<b>Options</b>	DALI Available
<b>Connection Method</b>	Australian 2-Pin Plug & 1.2m Lead
<b>Input Voltage</b>	240V

#### Optic Specifications

<b>Light Source</b>	40W Epistar, 2-side Edge lit
<b>Delivered Lumens</b>	4800lm (4000K)
<b>CRI</b>	80Ra
<b>Beam Angle</b>	120°
<b>Colour Deviation</b>	SDCM ≤ 3
<b>Rated Lifetime (L80B20)</b>	50,000 Hrs



### VARIATIONS

<b>LC7170</b>	BLAIZE 40W 1200x300 Panel Light, Non-Dim, 3000K
<b>LC7171</b>	BLAIZE 40W 1200x300 Panel Light, Non-Dim, 4000K