

BLAIZE 48W

Panel Light 600x600

The BLAIZE LED Panel Light is at the leading edge of commercial lighting. Suitable for surface mounting, recessed or suspended. Eliminate maintenance costs and enjoy a high efficiency light source. Dimmable Drivers are available.

The 48W BLAIZE 600x600 Panel Light offers a unique combination of aesthetics and performance. It helps declutter ceiling architectures, with a reduced installation time and cost.



SPECIFICATIONS

Material Specifications

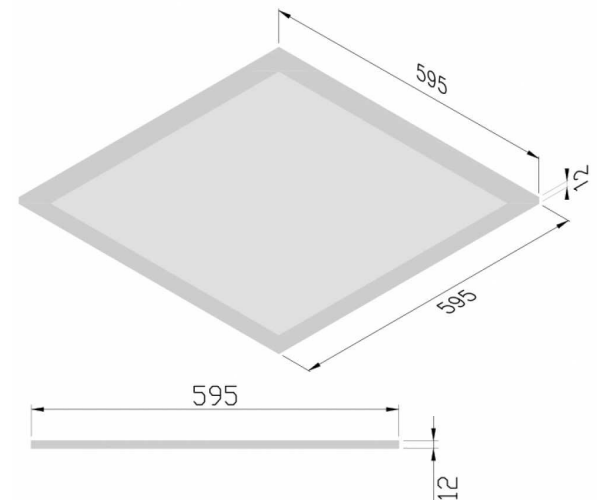
Material	White Aluminium Frame. PMMA
Dimensions	595mm x 595mm x 12mm
Ingress Protection	IP44
Options	Surface Mount, Plaster Recess & Suspension Kits
Weight	3.2Kg
Warranty	5 Year Replacement

Electrical Specifications

Power Supply	Non-Dimmable Boke 40W Remote Driver
Input Voltage	25V-42V (Driver output) Constant Current
Connection Method	Australian 2-Pin Plug & 1.2m Lead
Operating Temperature (Ta)	-20°C to +45°C

Optic Specifications

Light Source	48W Epistar SMD 144 pcs, 4-side Edge lit
Nominal Lumens	3700lm (4000K)
CRI	80Ra
Beam Angle	120°
Colour Deviation	SDCM ≤ 3
Rated Lifetime (L80B20)	50,000 Hrs



VARIATIONS

LC7052	BLAIZE 48W 600x600 Panel Light, Non-Dim, 3000K
LC7053	BLAIZE 48W 600x600 Panel Light, Non-Dim, 4000K