

ROSCO 10W

Gimbal Pinhole Downlight

The ROSCO 10W Adjustable pinhole downlight is constructed with a sleek design for a high impact light distribution. Suitable for a range of different commercial applications, including Hotels, museums and art galleries. Beautiful light with minimal glare - a favourite with architects and interior designers.

ROSCO 10W Gimbal Round LED Down light adopts a high lumen COB LED, and PMMA diffuser with even light output.



SPECIFICATIONS

Material Specifications

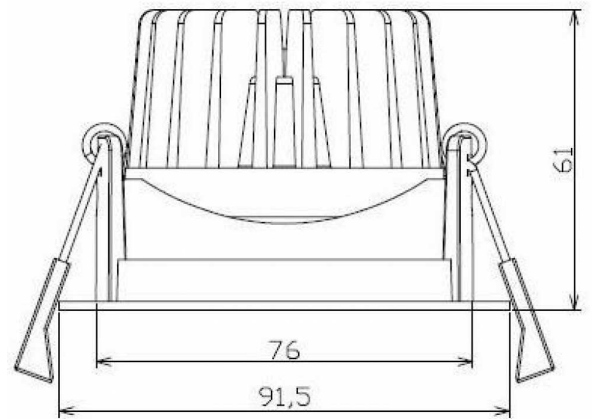
Material	High Grade Aluminum + Reflector
Colour	Matt White
Dimensions	91.5mm Face Dia x 61mm (H)
Cutout	84mm (Dia)
Adjustment	30° Gimbal
Ingress Protection	IP44
Warranty	5 Year Replacement

Electrical Specifications

Power Supply	Remote Driver, Phase Dim, 230mA
Dimming	range 8% - 100%
Thermal Testing	Compliant with IC-4 Classification
Operating Temperature (Ta)	-20°C to +45°C
Input Voltage	240V
Connection Method	Australian 2-pin Plug & 1.2m Lead

Optic Specifications

Light Source	AC Hongli 10W COB LED
Delivered Lumens	760lm
CRI	80Ra
Beam Angle	36° (Round Pinhole)
Colour Deviation	SDCM <4
Rated Lifetime (L70B50)	50,000 Hrs



VARIATIONS

LC3510	ROSCO 10W Gimbal Pinhole Downlight, White, Phase Dim, 3000K
LC3511	ROSCO 10W Gimbal Pinhole Downlight, White, Phase Dim, 4000K