

ASTON 30W

Linear Surface Mount 1125mm

The ASTON 30W Linear Series are a sleek, modern style perfect for commercial architecture. Installed as a surface mount fitting, the ASTON series is modular. Connect together as many as you need, to create a continuous extrusion. Each module has its own driver.

With a thin profile (60x72mm), this style is also available in suspended and recessed.



IP44



SPECIFICATIONS

Material Specifications

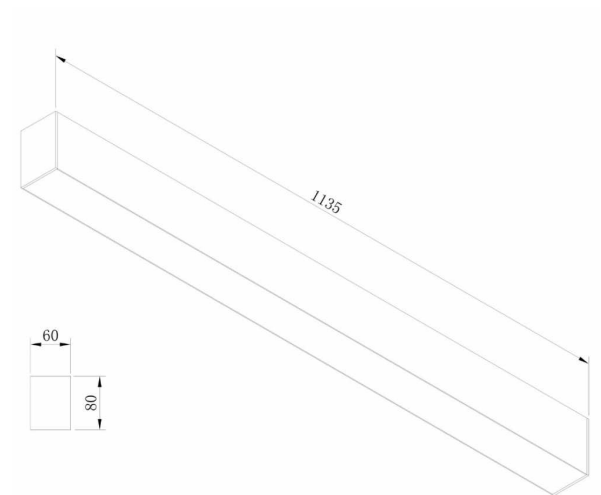
Material	1.0mm Aluminium Housing, with Opal Acrylic Diffuser
Finish	Powdercoat
Dimensions	1125mm(L) x 62mm(W) x 82mm(D)
Ingress Protection	IP44
Warranty	5 Year Replacement

Electrical Specifications

Power Supply	Osram LED Integrated Driver, non-Dimmable
Options	0-10V Dimmable
Input Voltage	240V

Optic Specifications

Light Source	Samsung 2835 SMD
LED Wattage	27W/m
Nominal Lumens	3125lm
CRI	80Ra
Beam Angle	120°
Colour Deviation	SDCM ≤ 3
Rated Lifetime (L70B50)	50,000 Hrs



VARIATIONS

LC8139	ASTON 30W Surface Mount Profile, 1125mm, Black, Non-Dim, 3000K
LC8140	ASTON 30W Surface Mount Profile, 1125mm, White, Non-Dim, 3000K
LC8141	ASTON 30W Surface Mount Profile, 1125mm, Black, Non-Dim, 4000K
LC8142	ASTON 30W Surface Mount Profile, 1125mm, White, Non-Dim, 4000K