

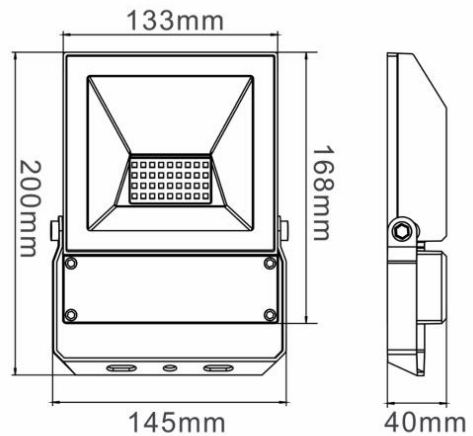


TECHLUME

A U S T R A L I A

Product Overview

Product Name / Code: AZTEC 20W Floodlight 240V - LC2422
Description: 5700K, 120°, IP66, Black, Non-Dim
Manufacturer: Decrolux Lighting Pty Ltd



Laboratory and Equipment

System Name: LabSpion Goniometer
Sensor Name / Model: LabSensor Model2 / Freedom VIS (Custom Viso)
Calibration Date: 7/12/2022
Manufacturer: Viso Systems, Denmark

Measurement Details

Test Date and Time: 8/03/2023 3:42:13 PM
Measurement Method: Far Field, Type C Horizontal
Measurement Distance: 446.4 cm
Ambient Temperature: 25 °C ± 1 °C



Photometric Measurements

Total Luminous Flux	Luminous Efficacy	Luminous Intensity
2353 lm	0 Lumen/watt	918 cd

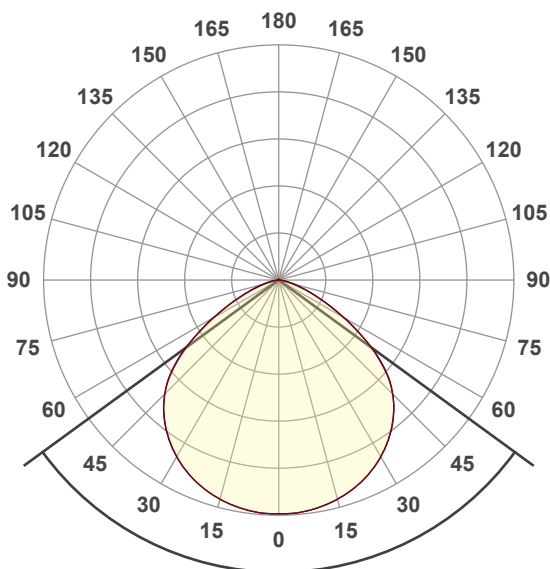
Correlated Colour Temperature, Target	Correlated Colour Temperature, Measured	Colour Rendering Index (CRI)
5700 K	5704 K	Ra 81.1

Electrical Measurements

Input Voltage	Input Current	Input Power	Input Voltage Frequency
0.000 VAC	0.000 A	0.00 W	0 Hz

Power Factor	Stabilisation Time	Stabilisation Variation	Hours Operated Prior to Test
0.0	Lamp stabilized in 16 min 3 sec	-2.4%	0 hours

Polar Diagram



Beam Angle 107.8°

Colour Rendering Index Per Reference Colour

