

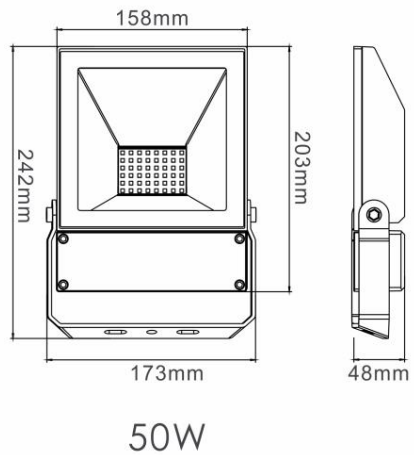


# TECHLUME

A U S T R A L I A

## Product Overview

Product Name / Code: AZTEC 50W Floodlight 240V - LC2551  
Description: 4000K, 120°, IP66, Black, Non-Dim  
Manufacturer: Decrolux Lighting Pty Ltd



## Laboratory and Equipment

System Name: LabSpion Goniometer  
Sensor Name / Model: LabSensor Model2 / Freedom VIS (Custom Viso)  
Calibration Date: 7/12/2022  
Manufacturer: Viso Systems, Denmark

## Measurement Details

Test Date and Time: 9/05/2023 9:11:09 AM  
Measurement Method: Far Field, Type C Horizontal  
Measurement Distance: 446.4 cm  
Ambient Temperature: 25 °C ± 1 °C



### Photometric Measurements

Total Luminous Flux	Luminous Efficacy	Luminous Intensity
6022 lm	133 Lumen/watt	2416 cd

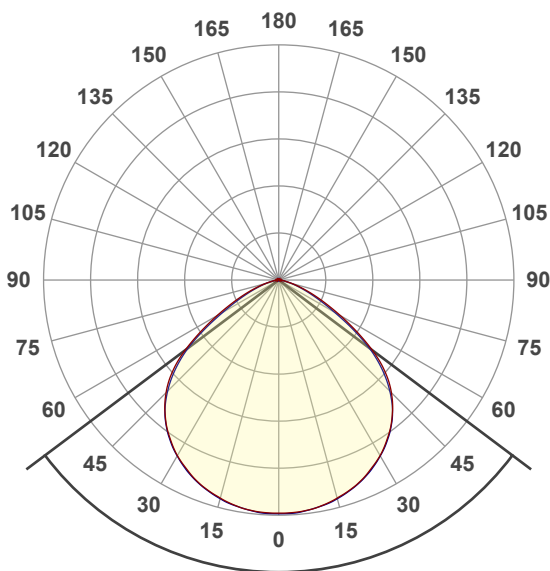
Correlated Colour Temperature, Target	Correlated Colour Temperature, Measured	Colour Rendering Index (CRI)
4000 K	4098 K	Ra 80.6

### Electrical Measurements

Input Voltage	Input Current	Input Power	Input Voltage Frequency
240 VAC	0.212 A	45.4 W	60 Hz

Power Factor	Stabilisation Time	Stabilisation Variation	Hours Operated Prior to Test
0.89	Lamp stabilized in 53 min 22 sec	-4.1%	0 hours

### Polar Diagram



**Beam Angle 106.2°**

### Colour Rendering Index Per Reference Colour

